



**SM-500A Planetary Mixer
Parts Catalogue and Electrical Diagram**

SMAKY AB

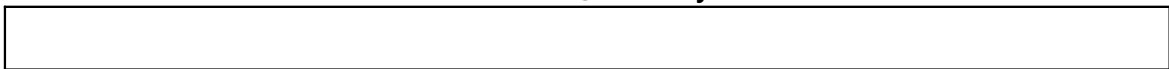
Regulatorvägen 21, S-141 49 Huddinge, Sweden

Tel+ 46 8 657 9490

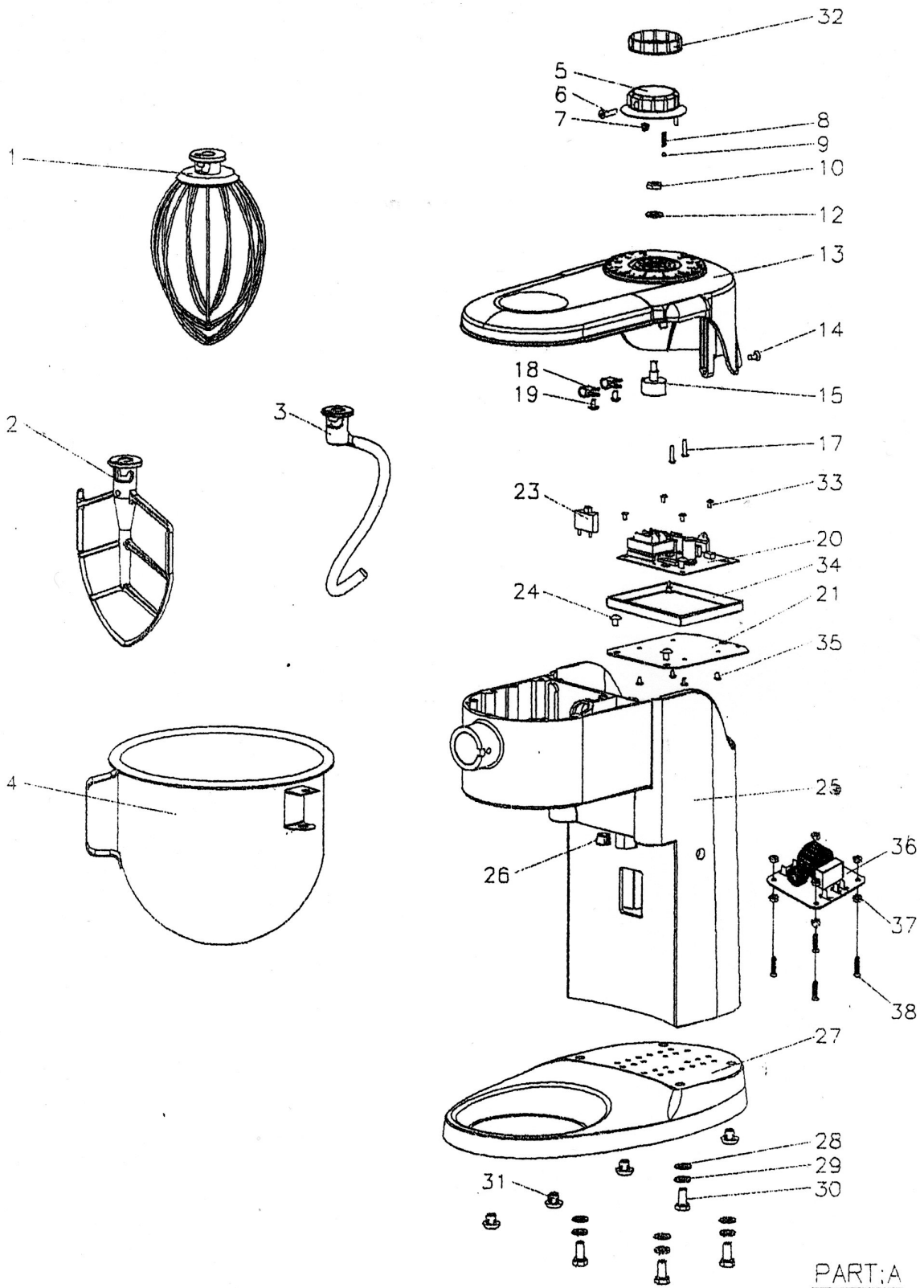
Fax+ 46 8 657 8980

<http://www.smakymixers.com>

e-mail: info@smaky.com



SM-500A Planetary Mixer Parts Catalogue, Part A



PART:A

SM-500A Planetary Mixer Parts Catalogue, Part A

Item	Parts No.	QTY	Description	Item	Parts No.	QTY	Description
1	5A01	1	Whip	21	5A21	1	Board Attachment
2	5A02	1	Beater	22	***	***	***
3	5A03	1	Spiral Hook	23	5A23	1	Circuit Breaker (2A) *
4	5A04	1	Bowl - 5 Liters	24	5A24	2	Screw (M5)
5	5A05	1	On / Off / Speed Selector	25	5A25	1	Main Body
6	5A06	1	Screw (M4)	26	5A26	1	Plastic Plug **
7	5A07	1	Nut (M4)	27	5A27	1	Base
8	5A08	1	Spring	28	5A28	4	Washer (M8)
9	5A09	1	Steel Ball (ϕ 4)	29	5A29	4	Spring Washer (M8)
10	5A10	1	Nut (M8)	30	5A30	4	Screw (M8)
11	***	***	***	31	UH-1260	4	Rubber Pad
12	5A12	1	Washer (M8)	32	5A32	1	Rubber Ring
13	5A13	1	Top Cover	33	5A33	4	Screw (M3)
14	5A14	1	Screw (M5)	34	5A34	1	Plastic Box (For IC Board)
15	5A15	1	VR Speed Switch	35	5A35	4	Screw (M4)
16	***	***	***	36	5A36	1	L-C Impedance ****
17	5A17	2	Screw (M3)	37	5A37	8	Nut (M4) ****
18	5A18	2	Wires Fixed Sets	38	5A38	4	Screw (M4) ****
19	5A19	2	Screw ϕ 3				
20	5A20	1	IC Control Board				

* Part No. 5A23 Circuit Breaker (220V/2A) is only for mixer with voltage 220V.

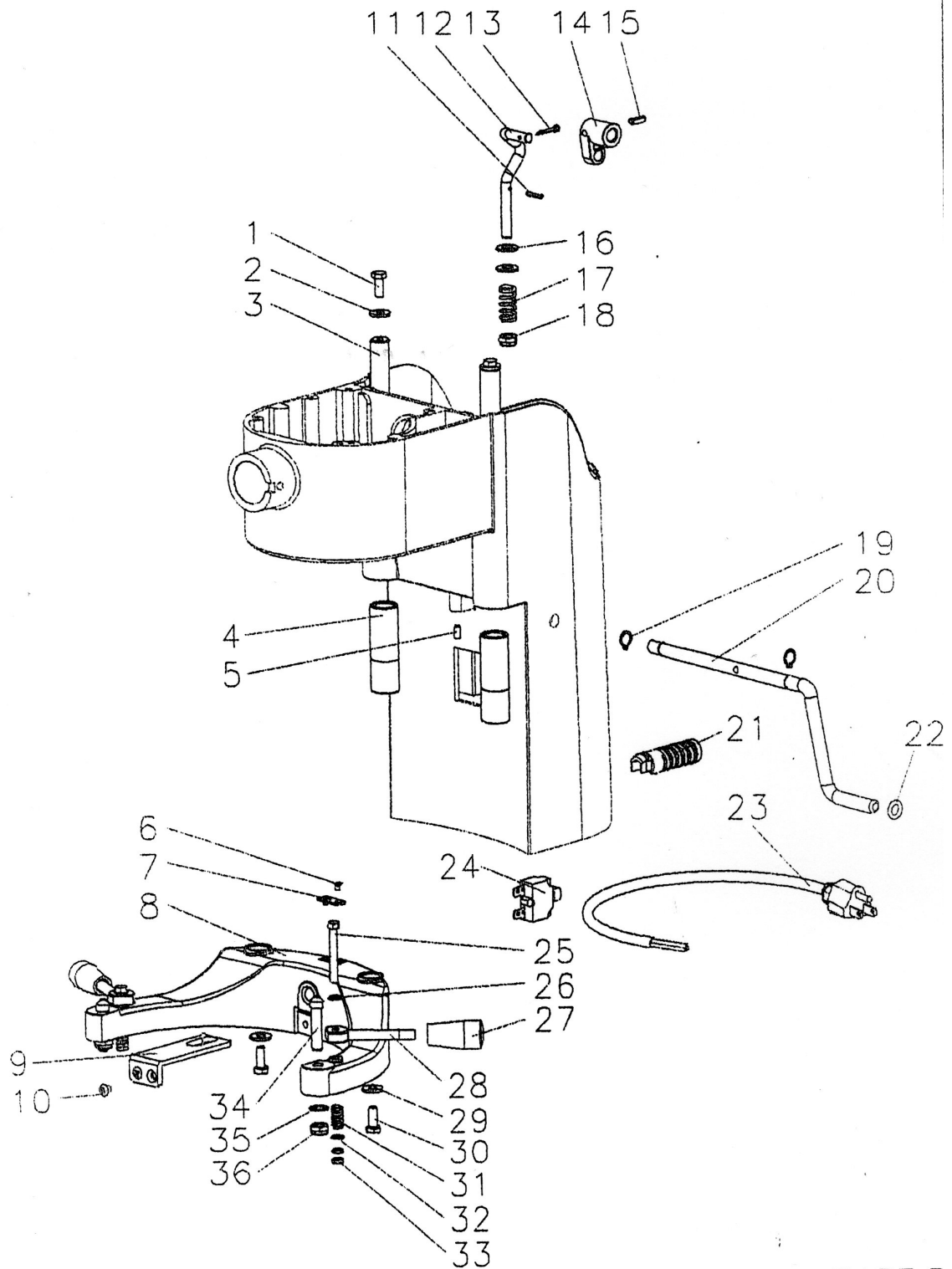
** Part No. 5A26 Plastic Plug is only for Model SM-500.

***Parts are not used any more.

****Parts No. 5A36, 5A37, 5A38 are only for Model SM-500A.

SM-500A Planetary Mixer

Parts Catalogue, Part B



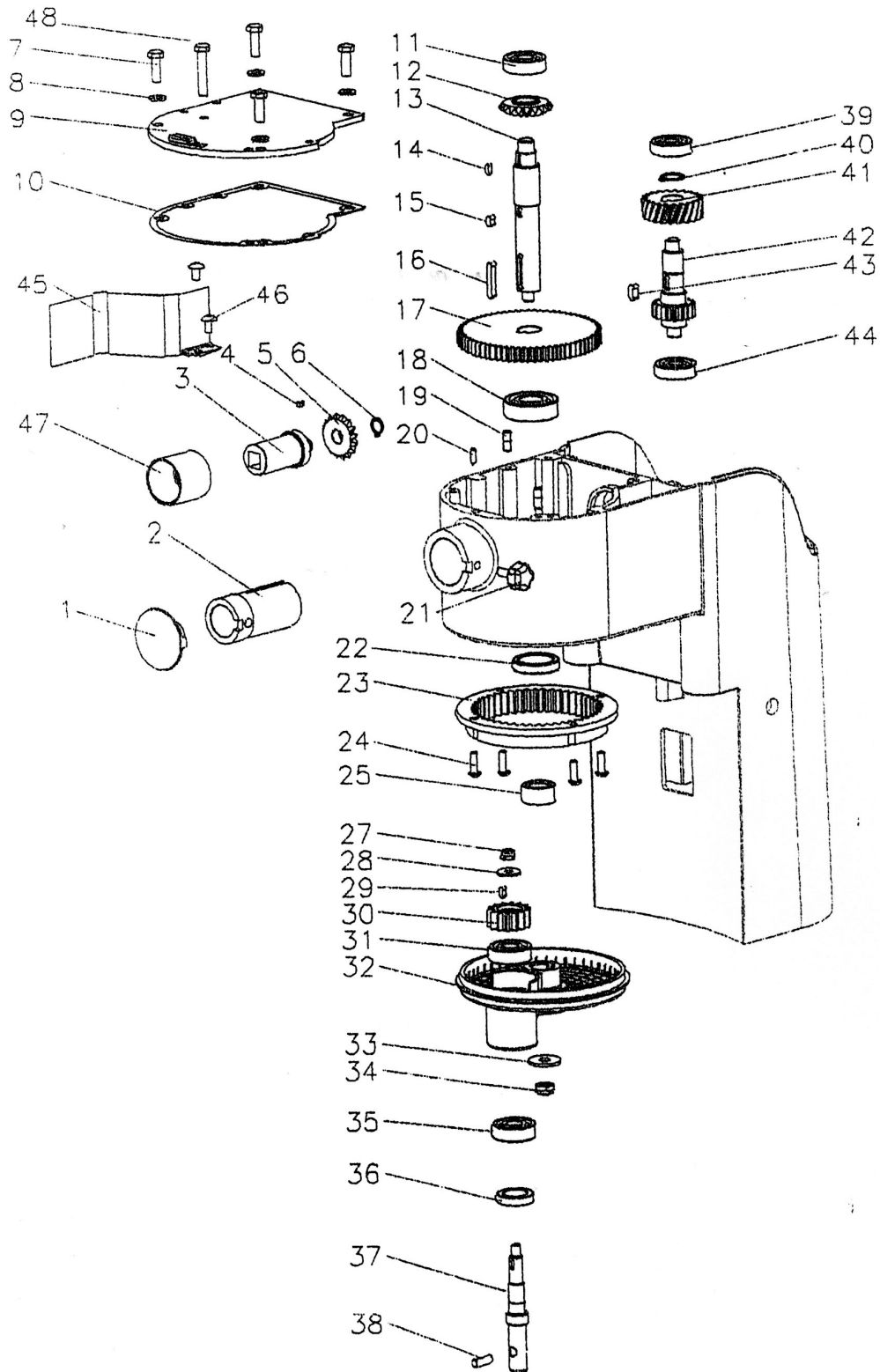
PART: E

SM-500A Planetary Mixer Parts Catalogue, Part B

Item	Part No.	QTY	Description	Item	Part No.	QTY	Description
1	5B01	2	Screw (M6)	26	5B26	2	Washer (M5)
2	5B02	2	Washer (M6)	27	RC033-1	2	Plastic Knob
3	5B03	2	Bowl Lift Shaft	28	800089	2	Bowl Latch
4	5B04	2	Bushing	29	5B29	2	Washer (M6)
5	5B05	1	Screw (M5)	30	5B30	2	Screw (M6)
6	5B06	2	Screw (M3)	31	5B31	2	Spring
7	5B07	1	Pad	32	5B32	2	Washer (M5)
8	5B08	1	Bowl Cradle	33	5B33	4	Nut (M5)
9	5B09	1	Bowl Lift Bracket	34	5B34	2	Pin - Bowl Retainin
10	5B10	2	Screw (M5)	35	5B35	2	O-ring
11	5B11	1	Pin ϕ 3	36	5B36	2	Nut (M8)
12	5B12	1	Rod - Bowl Lift				
13	5B13	1	Pin				
14	5B14	1	Arm - Bowl Lift				
15	5B15	1	Pin (ϕ 4)				
16	5B16	2	Washer (M8)				
17	800072	1	Spring				
18	5B18	1	Nut (M8)				
19	5B19	2	Ring (STW -12)				
20	5B20	1	Handle - Bowl Lift				
21	5B21	1	Strain Relief				
22	5B22	1	Rubber Ring				
23	5B23	1	Power Cord and Plug				
24	5B24	1	Circuit Breaker (3A) *				
25	5B25	2	Screw (M5)				

***Part No. 5B24 Circuit Breaker (110V/3A) is only for mixer with voltage 110V.**

SM-500A Planetary Mixer Parts Catalogue, Part C

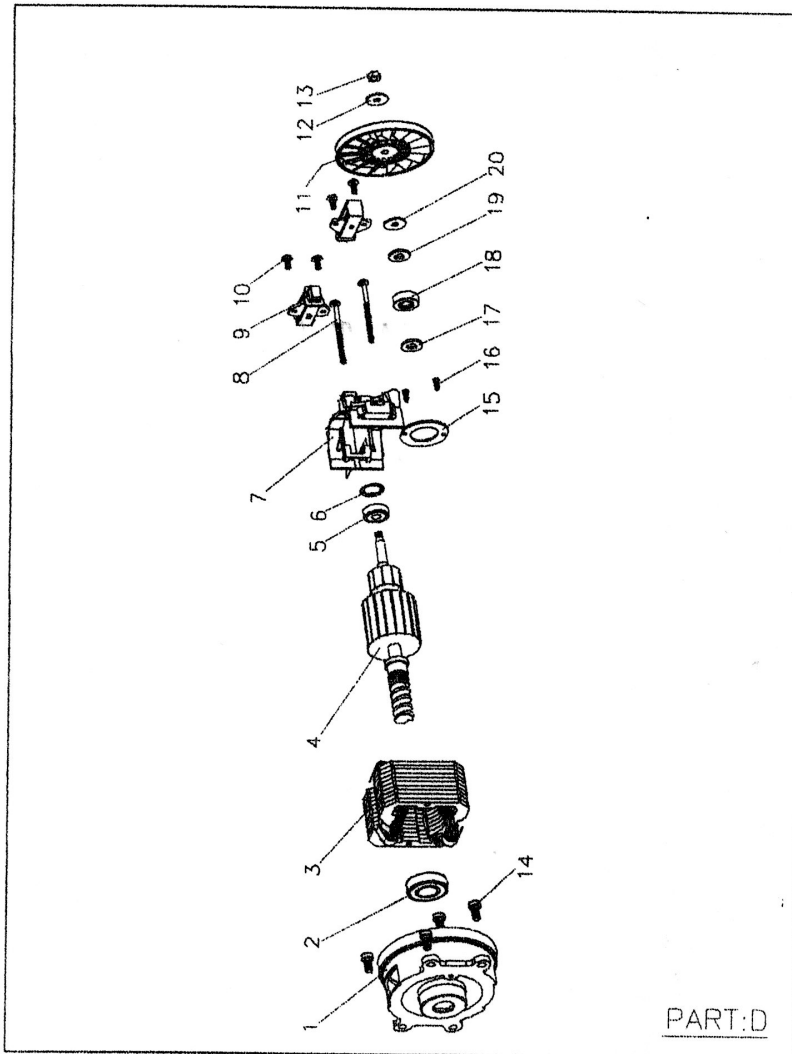


PART: C

SM-500A Planetary Mixer Parts Catalogue, Part C

Item	Part No.	QTY	Description	Item	Part No.	QTY	Description
1	5B01	2	Screw (M6)	26	5B26	2	Washer (M5)
2	5B02	2	Washer (M6)	27	RC033-1	2	Plastic Knob
3	5B03	2	Bowl Lift Shaft	28	800089	2	Bowl Latch
4	5B04	2	Bushing	29	5B29	2	Washer (M6)
5	5B05	1	Screw (M5)	30	5B30	2	Screw (M6)
6	5B06	2	Screw (M3)	31	5B31	2	Spring
7	5B07	1	Pad	32	5B32	2	Washer (M5)
8	5B08	1	Bowl Cradle	33	5B33	4	Nut (M5)
9	5B09	1	Bowl Lift Bracket	34	5B34	2	Pin - Bowl Retainin
10	5B10	2	Screw (M5)	35	5B35	2	O-ring
11	5B11	1	Pin ϕ 3	36	5B36	2	Nut (M8)
12	5B12	1	Rod - Bowl Lift				
13	5B13	1	Pin				
14	5B14	1	Arm - Bowl Lift				
15	5B15	1	Pin (ϕ 4)				
16	5B16	2	Washer (M8)				
17	800072	1	Spring				
18	5B18	1	Nut (M8)				
19	5B19	2	Ring (STW -12)				
20	5B20	1	Handle - Bowl Lift				
21	5B21	1	Strain Relief				
22	5B22	1	Rubber Ring				
23	5B23	1	Power Cord and Plug				
24	5B24	1	Circuit Breaker (3A) *				
25	5B25	2	Screw (M5)				

SM-500A Planetary Mixer Parts Catalogue, Part D



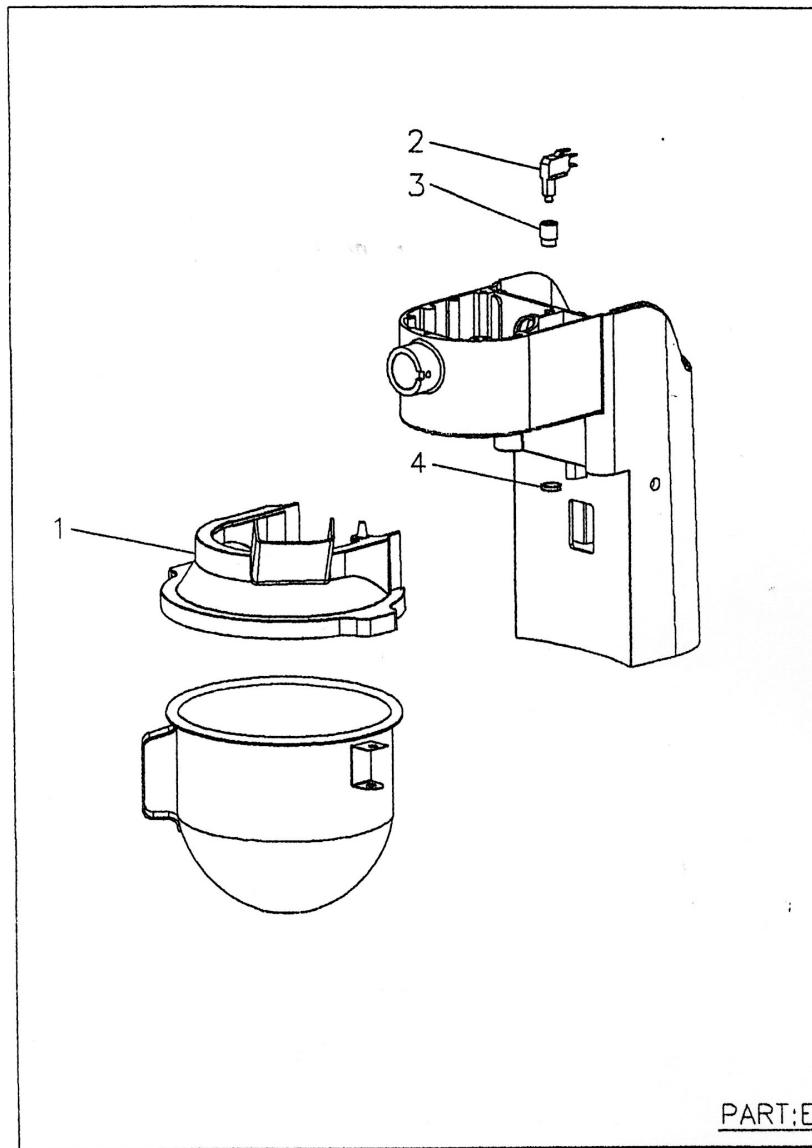
PART:D

Parts Table D

Item	Part No.	QTY	Description	Item	Part No.	QTY	Description
1	5D01	1	Motor Front Cover	11	5D11	1	Fan
2	5D02	1	Ball Bearing (6003ZZ)	12	5D12	1	Washer (M6)
3	5D03	1	Motor Coil *	13	5D13	1	Nut (M6)
4	5D04	1	Motor Axle	14	5D14	4	Screw (M6)
5	5D05	1	Ball Bearing (608ZZ)	15	5D15	1	Tachometer
6	5D06	1	Spacer	16	5D16	2	Screw (M3)
7	5D07	1	Motor Back Cover	17	5D17	1	Washer (M8)
8	5D08	2	Screw (M4)	18	5D18	1	Magnet
9	5D09	2	Carbon Brush	19	5D19	1	Washer (M8)
10	5D10	4	Screw (M4)	20	5D20	1	Washer (M6)

* Part No. 5D03 Motor Coil stands for a complete motor for model SM-500A.

SM-500A Planetary Mixer Parts Catalogue, Part E

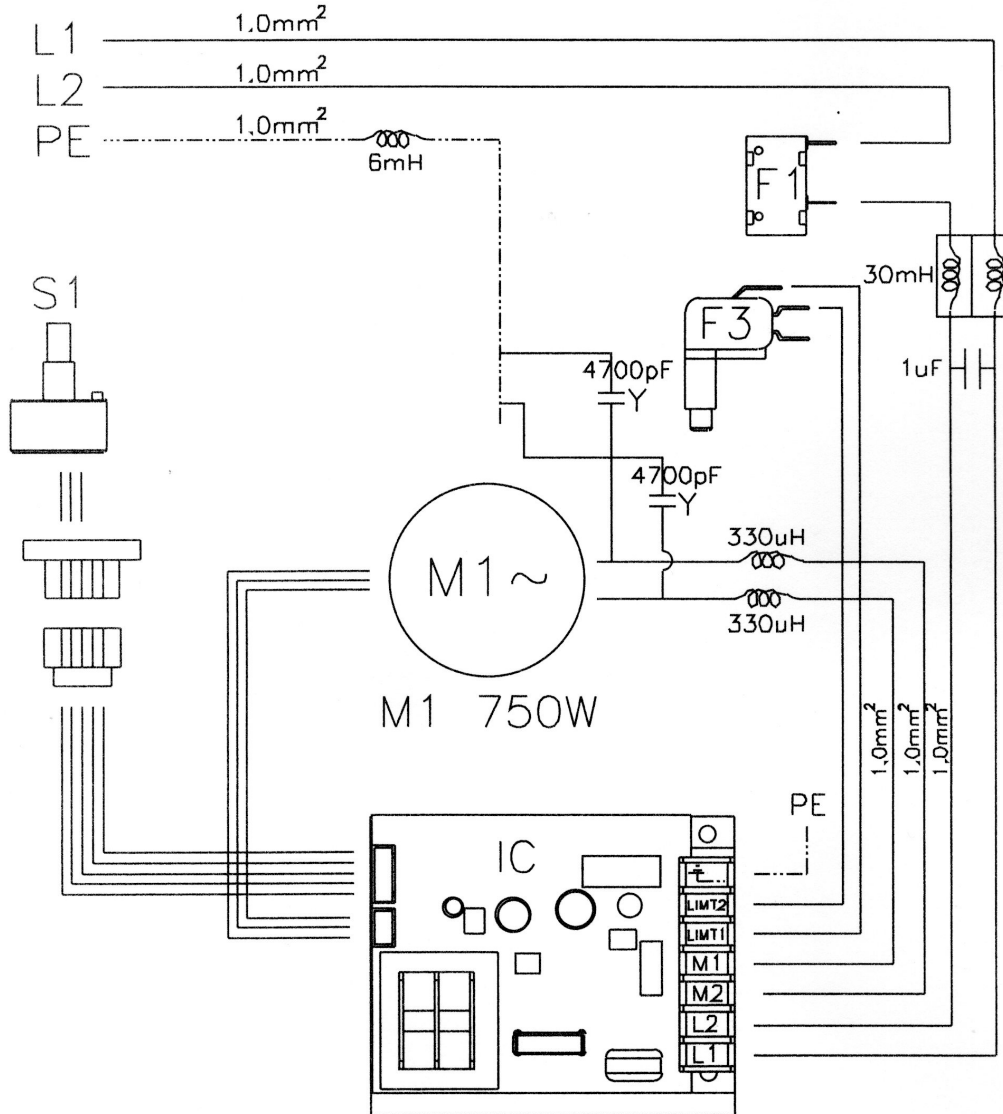


Parts Table E

Item	Part No.	QTY	Description
1	5E01	1	Bowl Guard
2	5E02	1	Microswitch
3	5E03	1	Tube
4	5E04	1	Nut

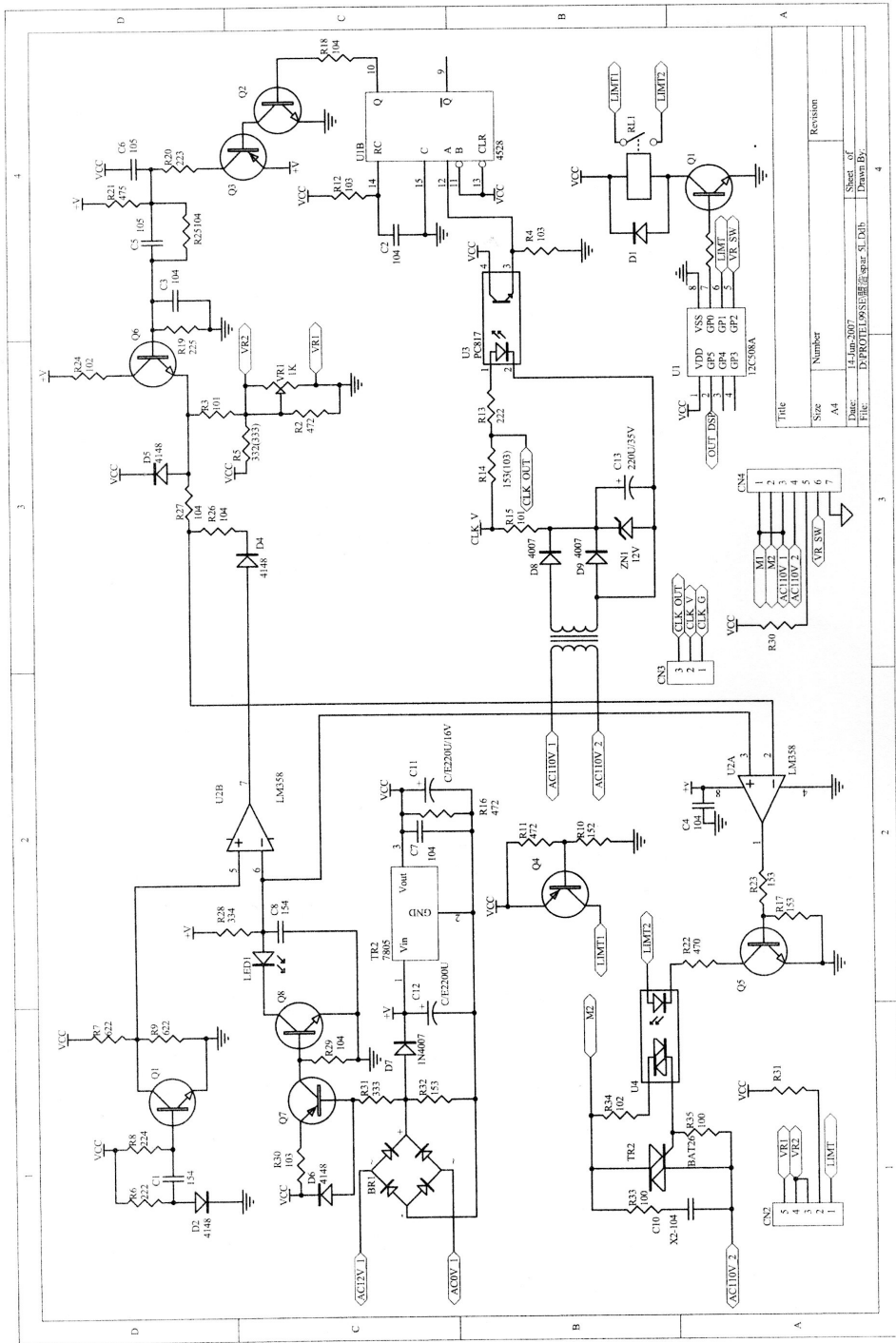
SM-500A Planetary Mixer Electrical diagram

ELECTRICAL WIRING DIAGRAM



ITEM	PARTS NO.	DESCRIPTION	SPECIFICATION	QTY
F1	5A23	Circuit Breaker*	220V/ 2A (Automatically Reset)	1
	5B24	Circuit Breaker*	110V/ 3A (Manually Reset)	1
F3	5E02	Microswitch	10(4)A400V~16(4)A25 0V	1
S1	5A15	Speed Selector	315VDC 0.255W	1
M1		Motor	750W , 1PH, 100V/240V, 50/60Hz	1
IC	5A20	IC Board	MH-29037	1

*Circuit Breaker may be different base on mixer's voltage.



Title		Revision	
Size	A4	Number	
Date:	14-Jan-2007	Sheet of	
File:	D:\PROTEL99SE\proj\spkr_9.LDib	Drawn By:	

1 2 3 4

A B C D